



Applications:

- Grow lighting using specific horticultural LEDs

Features:

- 5 Year 90% light output as verified by UofT
- Sunrise and sunset colour changing
- Optional mounting systems including end to end linear, group (of 7) bracket mounting systems, etc
- Liquid tight electrical connections
- Greenhouse, vertical & horizontal uses
- UL Horticultural Approval UL8800:2017 Ed.1
- CSA C22.2#250.0:2018 Ed.4

Benefits:

- No fan, radiant cooling
- Various mounting possibilities
- Compact
- Low heat output
- Dimmable, reducing plant shock & condensation
- Remote power system
- Easy to clean (flat wipe off tops)
- High voltage power supply, common/low voltage LED thus reducing wiring costs
- Remote power supply, single or 12Kw or 24Kw 347V AC or 240V AC power.

Options:

- Spectrum of light including additional UV/IR
- Power output (46 watt or 92 watt)
- Extension Cables
- Y-cables

Specifications:

Size: 79mm (w), 28mm (h), 1200mm LED, 1320mm overall
 IP water rating: IP65 can be washed with low pressure water.
 Colour: Silver Aluminum
 Material: Aluminum
 Weight: 2.68Kg
 Heat load: 219 BTUs, 7 strips/fixture. 7.83 fixtures per one ton AC
 Heat load based on total wattage: 92 watts per strip.
 Lifespan: 50,000 hrs
 LEDs: 468,- 440 white, 26 red, UVB 2 (Revision 7 version)
 Lumens per Watt: 180 lm/watt
 Average colour temperature: 3900K
 MicroMol levels (µM), with cross lighting in live application. Fixture to canopy, 6" (150mm)OC, 3.28' (1M) x 4' (1.2M) fixture, 1000µM. 600mm 750µM.
 Single strip: 633uMol @180mm

Power Environment:

Input Voltage: 24v DC
 Total Power Consumption: 92w per 1200mm. 3.8 Amps

Working Environment:

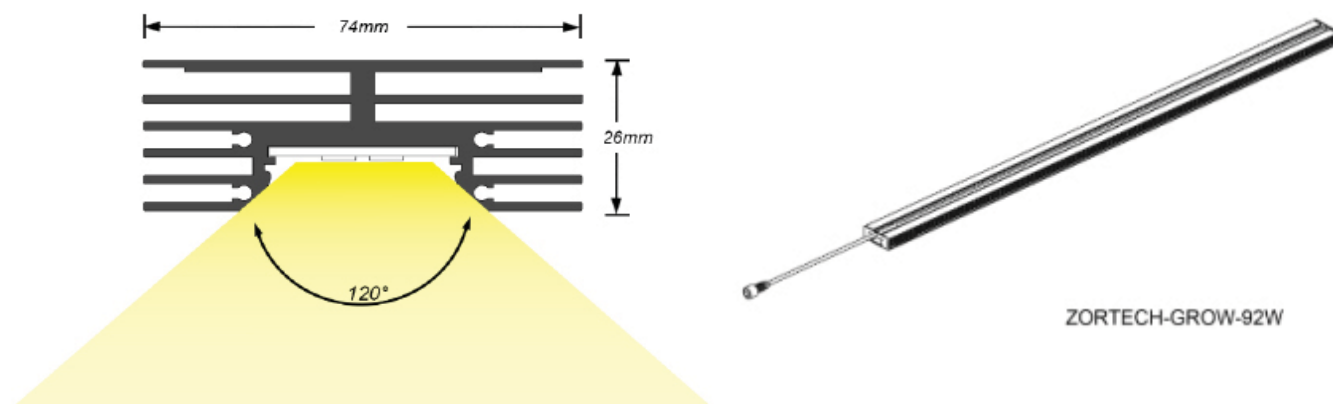
Temperature: -20 °C to +40 °C
 Indoor/outdoor covered



ZORTECH LED Grow Strip GS 92

- Low strip profile and compact design, optimal for tight spaces and various configurations.
- Easy installation.
- Customizable coverage area
- Dimmable power output standard
- Low heat output
- IP 65
- No fans
- Low cooling costs
- All models available with the Remote IHP (intelligent high power) System - Remote Power Supply in variable power and voltage configurations including 347V.

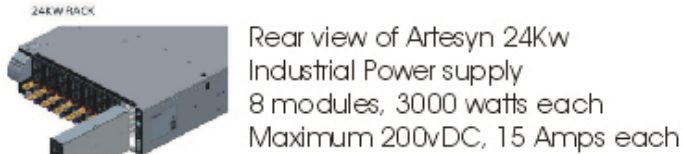
Please inquire for more information regarding our IHP System.



GS92-650 model includes 7 strips and comes with 347 V IHP remote power supply system

Model:	GS 92-650
Power:	644 W
Input Voltage:	240V or 347V 3 phase IHP
Frequency range:	47-63 Hz
Spectrum:	Full Spectrum White
Lumens:	63,000 lm 7 strips
Lifespan:	>50,000 hours as verified by University Of Toronto
Light Beam Angle:	120 degrees
Material:	Aluminum
Size:	1220 x 74 x 26 mm
Weight:	1724 g per strip (with wire/connector)
Operating Temp:	20 C to + 50 C
Warranty:	5 years 90% light output

Zortech 92 watt, IHP DC connection drawing



Standard #12AWG, 300V TW90 wire in conduit
From IHP to Junction box

Standard Electrical Junction Box 8-8-4
5 Amp Fast Blow Fuses x 4

4 fused outputs
Zortech 18 AWG 300V 5 meter cable

