

GS92 - IHP Installation Guide & Specification

Horticulture LED Lighting Systems connected to Artesyn Embedded Technologies IHP remote power supplies.



Warning/Risk of Electrical Shock

- Turn power off before installation, inspection, cleaning or removal.
- Follow all National Electric Codes (NEC) and local codes.
- This product must be installed in accordance with the applicable installation codes by a person familiar with the construction and operation of the product and the hazards involved.
- Use only with components identified in this document.
- Suitable for dry, damp, and wet locations; Do not immerse any components.
- Wear suitable Personal Protective Equipment (PPE) During installation/maintenance.
- Luminaire designed for Greenhouse and Indoor applications.
- Suitable for operation in an ambient temperature between -20°C to +50°C. A mechanical ventilation or cooling system is required to maintain the temperature within the growing space of below 50°C when the luminaire is in operation.

Save These Instructions

Use only in the manner intended by the manufacturer. If you have any questions, contact the manufacturer.

Specifications

Driver Specifications: Artesyn module sized according to series configuration and load. See available Artesyn Driver Modules.

Light Module Specifications

Part Number	Description	Weight	Voltage	Current
420016-G	46 watt Full Spectrum LED grow strip	0.84kg	24VDC	1.9A
420017-G	92 watt Full Spectrum LED grow strip	1.72Kg	24VDC	3.8A

Inter-Connection Cables Specifications

Note: Below are standard cables however custom cables are available depending on configuration.

Part Number

861312-MFF300	300mm Male/Female/Female cable CSA
861311	5-meter Female to blunt cable CSA

Tools Required

Standard tools are required to install this product. They may include: cable cutter, tape measure, level, heavy wire cutters, etc.

Common Hardware

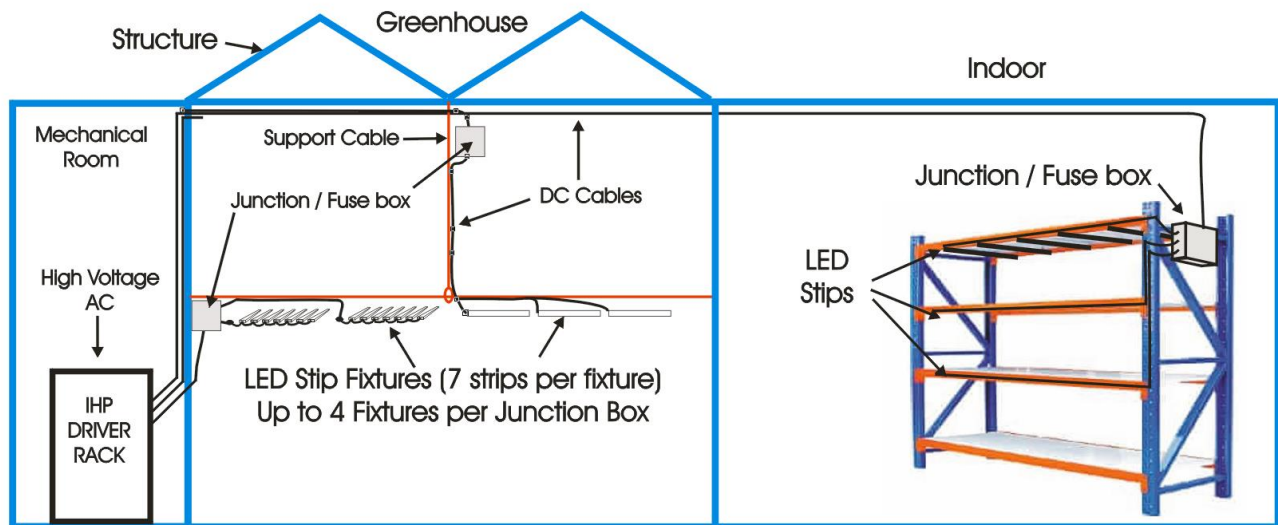
Options are available to mount this product. They may include: Suspension cable, wire clamps, turnbuckles, chain, links, etc.

Installation Overview



Attention

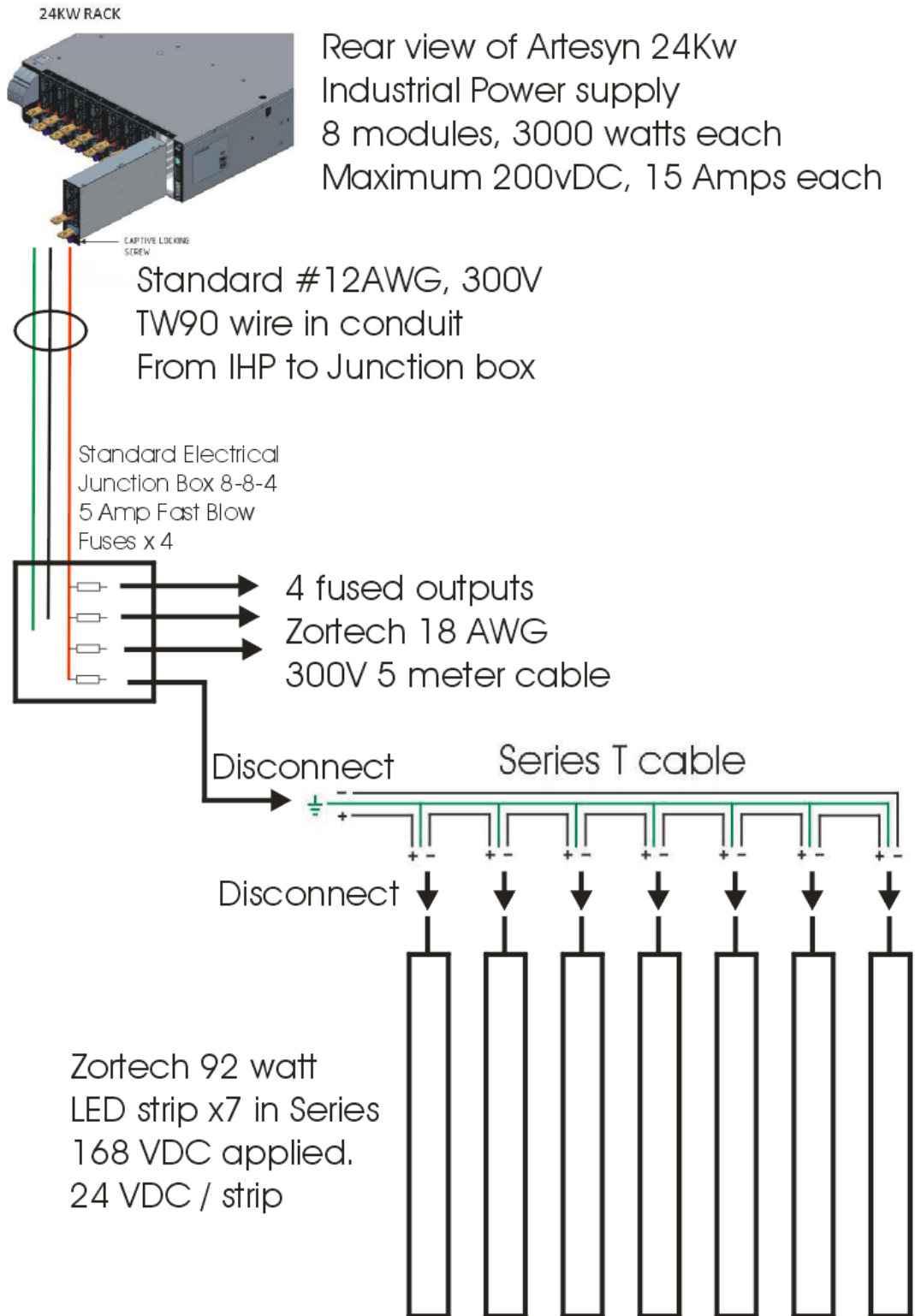
- Suspension cable diameter must be between 0.10 inch (2.5mm) and 0.16 inch (4mm).
- Selection of proper common hardware with good quality is the responsibility of the installer.
- Consider using materials having proper strength and corrosion resistance for the environment.



Important Guidelines

- Spacing of lights
- Support cable structural mounting
- Installer is responsible for overall mounting and supports
- IHP Driver rack produces heat. Refer to specifications for cooling/heating.
- Installer must select suspension cable able to support all LED fixtures plus structural tightening cable loads.

Zortech 92 watt, IHP DC connection drawing



Zortech LED Grow Strip GS 92-650

Customizable grow light solution. Ideal for use in vertical farming

Low strip profile and compact design is optimal for use in tight spaces.

Customized coverage area

Customized power output

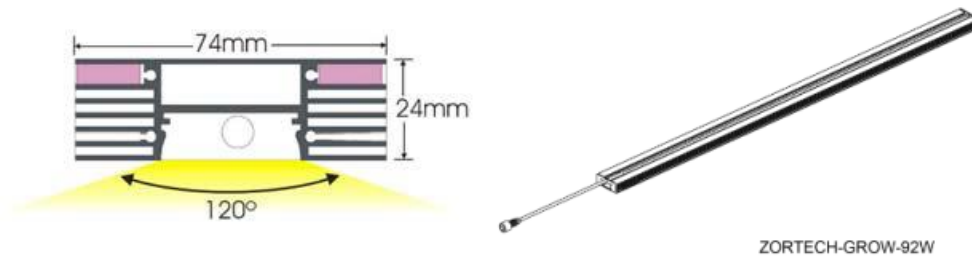
Low heat output

IP 65, damp rated

No fans, Low cooling costs

All models are available with the Remote IHP (Intelligent High Power) System – Remote Power Supply.

12Kw power supply is 240 VAC powered. 24Kw power supply is 600/347 VAC powered. AC breakers typically dual 60 amp for 12KW, 40 amp per phase for 3 phase 600/347V system. Maximum AC current can be as low as 21 Amps per phase with maximum nominal output on 3 phase system under ideal conditions (minimal distance DC power lines).



Model:	GS 92-600	GS 92-650
Power:	552 W	644 W
Input Voltage:	90-305 VAC or IHP	IHP
Frequency range:	47-63 Hz	
Spectrum:	Full Spectrum White	
Lumens:	180 lm/w (LED max.), actual 9,000 Lm per strip	
	54,000 Lm/6 strips	63,000 Lm 7 strips
Lifespan:	>50,000 hours	
Light Beam Angle:	120	
Case material:	Aluminum	
No Lenses		
Strip Size:	1220 x 74 x 24 mm	
Strip Weight:	1724 g per strip (with wire/connector)	
Coverage area:	Custom	
Operating Temp:	-20 C to + 50 C	
Warranty:	5 years	